

THE PROPERTY OF THE DRAWING IS ESTABLISHED BY LAW
IT IS FORBIDDEN TO PRODUCE OR SHOW IT TO THIRD PART
WITHOUT A WRITTEN AGREEMENT.

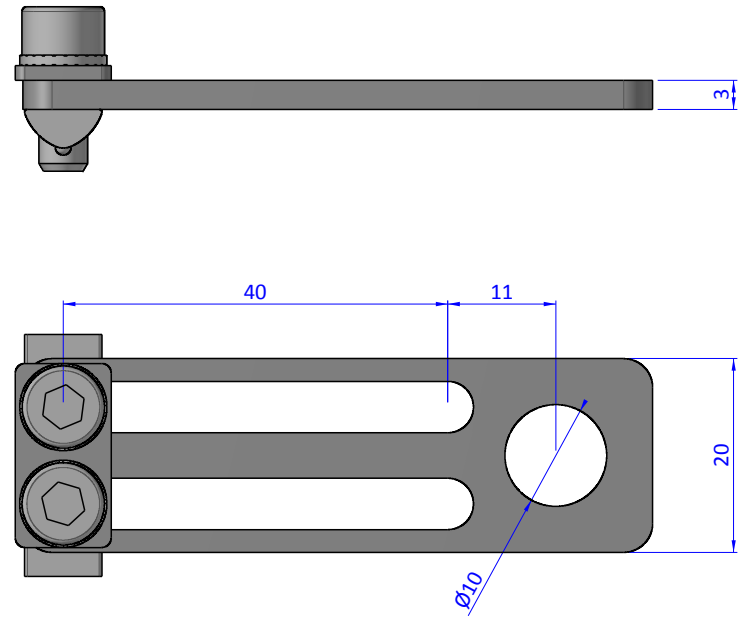
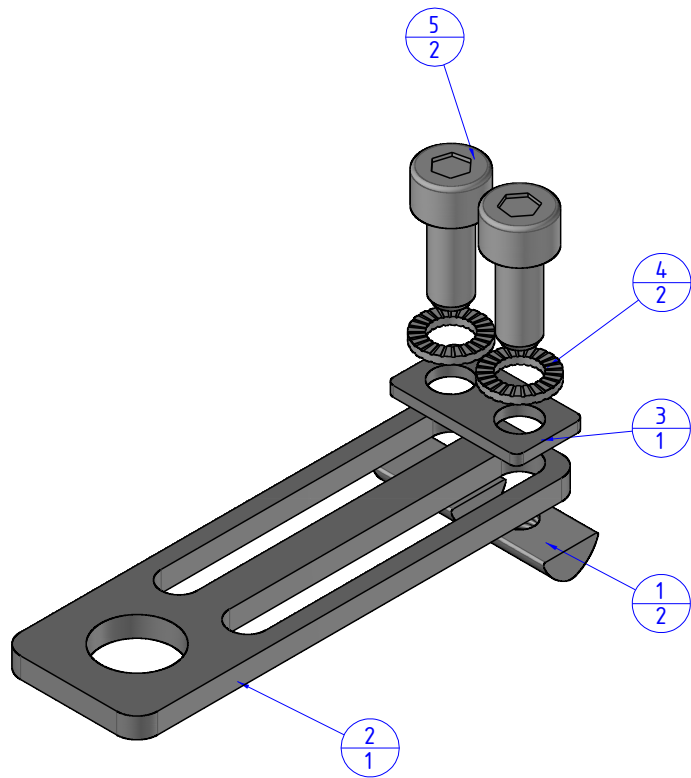
MODIFICATIONS

VARIED DIMENSIONS OF DATE
7
8
9
10
11
12

MODIFICATIONS

VARIED DIMENSIONS OF DATE
1
2
3
4
5
6

Format A3
UNI 936-76



Object Number	Name	QTY
1	CA.02.05.003	2
2	CA.04.20.10	1
3	R.05.10	1
4	R.5.SCH	2
5	V-tcei M 5 x 12	2

		DESIGNED FROM	
		FPSERVICES	
GENERAL TOLERANCE		DATE	WEIGHT
UNI - ISO 2768		08/06/2016	0,031kg
CLASSE I		CODE	
		CA.04.20.10.5	